

Wave Logic



TUBULAR WAVE™ HF 13.56MHz RFID TRANSCEIVERS

Wave Logic Introduces two new small form factor RFID high frequency (HF) transceivers in 18mm diameter and 30mm diameter tubular form factors for factory production line automation and robotic operations

- Both versions offer unprecedented compact form factors for ease of integration.
- IP67 Rated enclosures
- Offered with IP67 rated 8mm connectors or 3m communication cables.
- Serial interface options: USB, RS232 and RS485.
- Aggressively priced against competitive products
- Four LEDs for transceiver status viewable from sides and rear viewing angles
- Two mounting nuts included
- 200mW output power
- 5Vdc, 150mA (75mW) power requirement
- ISO 15693 & ISO 18000-3
- ISO 14443



TUBULAR WAVE™ 18mm & 30mm Diameter Tubular ISO15693/ISO14443 RFID Transceivers

Target Applications:

- Factory Automation
- Robotic Operations
- Integration into OEM equipment
- Pharmaceutical and Biomedical Processes
- Asset tracking

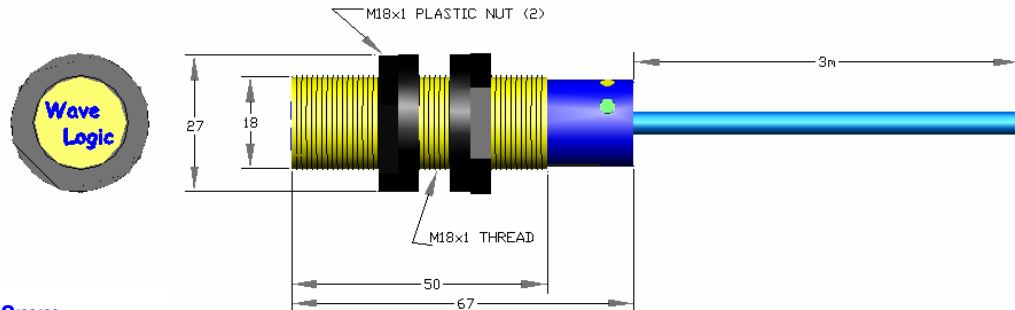
Wave Logic



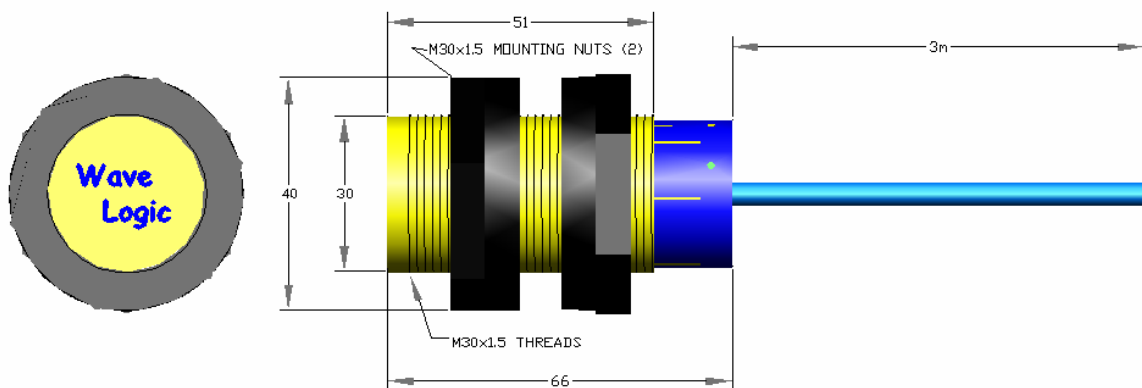
Specifications

<p>Tag Protocols:</p> <ul style="list-style-type: none"> • ISO15693 • ISO18000-3 • Tag-It • ISO14443A/B <p>RF Data Rates:</p> <ul style="list-style-type: none"> • ISO14443 106kbs, 212kbs, 424kbs, 848kbs • ISO15693 26.48kbs 	<p>Read/write Distance:</p> <ul style="list-style-type: none"> • TW18 = 30mm • TW30 = 50mm (with 25mm dia. ISO15693 tag) <p>Interface Options</p> <ul style="list-style-type: none"> • USB 2.0 • RS232 • RS485 <p>Serial Communication:</p> <ul style="list-style-type: none"> • USB up to 115k baud • RS232 up to 115k baud • RS485 up to 115k baud 	<p>*Certifications:</p> <ul style="list-style-type: none"> • FCC • CE • TELEC • FDA <p>Dimensions:</p> <ul style="list-style-type: none"> • See drawings <p><i>*Certifications Pending</i></p>	<p>Electrical:</p> <ul style="list-style-type: none"> • 5Vdc, 150mA <p>Ingress protection:</p> <ul style="list-style-type: none"> • IP67 Rating <p>Shock & Vibration:</p> <ul style="list-style-type: none"> • IEC 68-2-6 Test FC 1.5mm, 10 to 55Hz: 2 Hours each Axis • IEC 66-2-27 Test EA 30g; 11msec: 3 Shocks per Axis <p>Temperature:</p> <ul style="list-style-type: none"> • Operating: -40C to +85C • Storage: -40C to +110C
--	---	---	---

Dimensions



**TW18 - 18mm
TUBULAR WAVE™**



**TW30 - 30mm
TUBULAR WAVE™**

All dimensions are in mm.